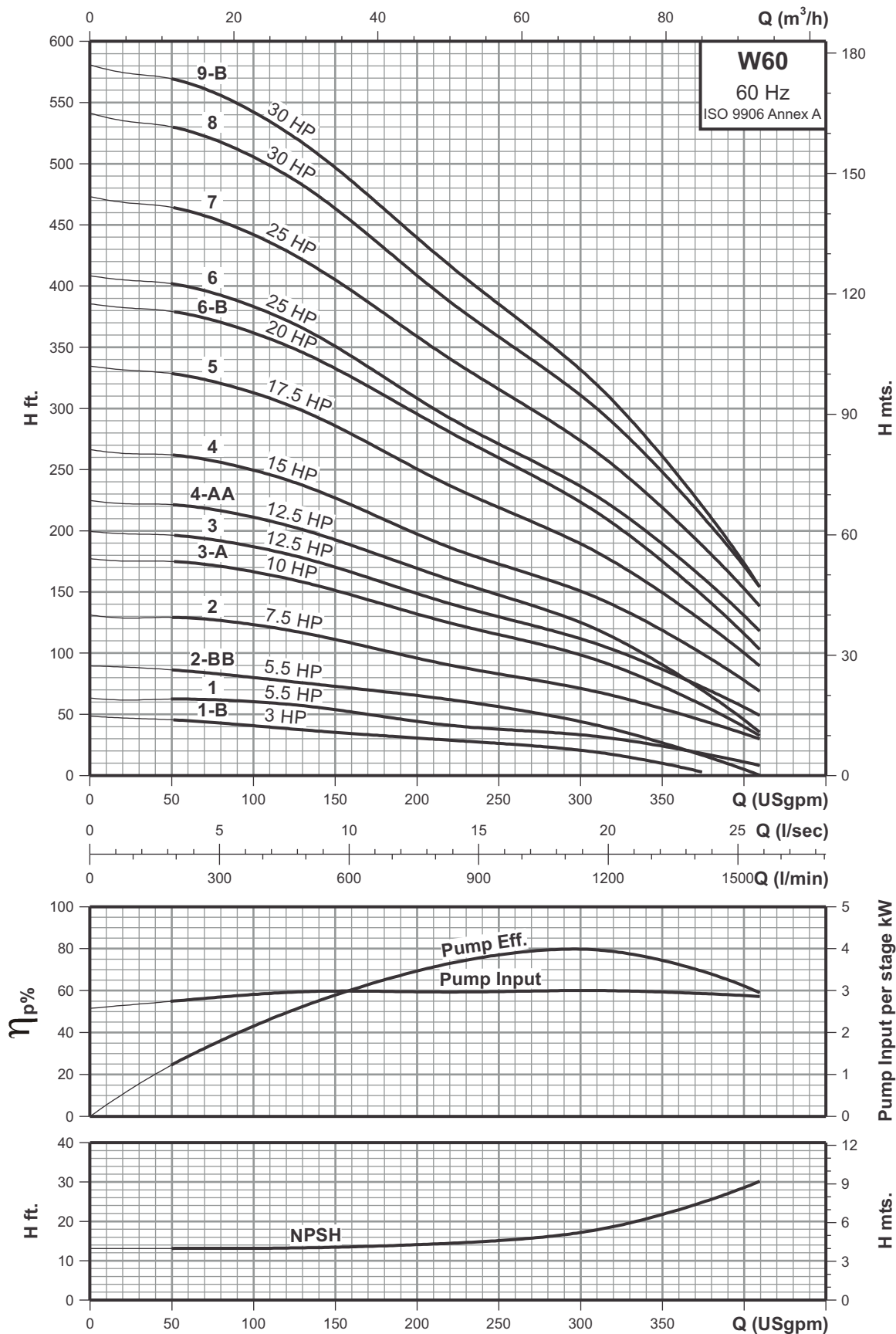


Performance curves

Mixed flow 6" stainless steel submersible bore well pumps

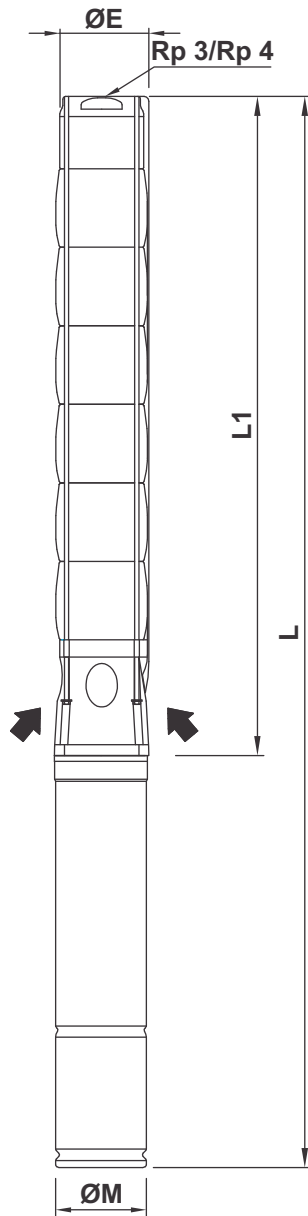
W60



Technical data

Mixed flow 6" stainless steel submersible bore well pumps

W60



Performance chart

Pump type	Motor type		HP	kW	Q l/min USgpm	n = 3450 rpm						
	Oil filled	Water filled				0	83	167	500	834	1167	1550
						0	21.9	44	132.1	220.2	308.3	409.5
W60/1-B	H4630	L4630	3.00	2.20	H ft.	49	47	46	37	29	19	-
W60/1	H4655	L4655	5.50	4.00		63	62	62	57	41	32	8
W60/2-BB	H4655	L4655	5.50	4.00		90	89	87	75	62	42	0
W60/2	H4675	L4675	7.50	5.50		131	129	129	116	90	69	30
W60/3-A	H46100	L6610-KP	10.0	7.50		177	175	175	157	125	95	33
W60/3	-	L6612-KP	12.5	9.30		199	198	197	177	140	108	49
W60/4-AA	-	L6612-KP	12.5	9.30		225	222	222	200	160	120	35
W60/4	-	L6615-KP	15.0	11.0		266	263	262	236	186	146	69
W60/5	-	L6617-KP	17.5	13.0		335	331	329	297	237	184	90
W60/6-B	-	L6620-KP	20.0	15.0		385	382	380	344	281	217	103
W60/6	-	L6625-KP	25.0	18.5		408	405	403	364	292	230	118
W60/7	-	L6625-KP	25.0	18.5		473	468	466	420	341	266	138
W60/8	-	L6630-KP	30.0	22.0		541	535	531	481	387	302	154
W60/9-B	-	L6630-KP	30.0	22.0		581	574	571	515	417	322	154

Dimensions & weights of pump with Oil filled motor

Type Pump + Motor	ØM [inch]	ØE [inch]	Length [inch]			Gross weight [lbs]			Gross volume [ft³]		
			L1	L		Pump	Pump+Motor		Pump	Pump+Motor	
				1 ~	3 ~		1 ~	3 ~		1 ~	3 ~
W60/01-B + H4630	3.74	5.75	14.45	36.69	34.33	17	61	52	0.8	1.2	1.2
W60/01 + H4655	3.74	5.75	14.45	40.63	38.66	17	66	64	0.8	1.3	1.2
W60/02-BB + H4655	3.74	5.75	18.90	45.08	43.11	22	72	70	0.8	1.3	1.2
W60/02 + H4675	3.74	5.75	18.90	-	45.08	22	-	77	0.8	-	1.3
W60/03-A + H46100	3.74	5.75	23.35	-	55.04	28	-	98	0.8	-	1.3

Dimensions & weights of pump with Water filled motor

Type Pump + Motor	ØM [inch]	ØE [inch]	Length [inch]			Gross weight [lbs]			Gross volume [ft³]		
			L1	L		Pump	Pump+Motor		Pump	Pump+Motor	
				1 ~	3 ~		1 ~	3 ~		1 ~	3 ~
W60/01-B + L4630	3.74	5.75	14.45	42.44	40.87	17	75	73	0.8	1.3	1.3
W60/01 + L4655	3.74	5.75	14.45	47.56	46.77	17	84	90	0.8	1.3	1.3
W60/02-BB + L4655	3.74	5.75	18.90	52.01	51.22	22	89	96	0.8	1.3	1.3
W60/02 + L4675	3.74	5.75	18.90	-	53.98	22	-	98	0.8	-	1.3
W60/03-A + L6610-KP	5.59	5.83	23.98	-	51.85	28	-	147	0.8	-	1.7
W60/03 + L6612-KP	5.59	5.83	23.98	-	53.82	28	-	159	0.8	-	1.7
W60/04-AA + L6612-KP	5.59	5.83	28.43	-	58.27	35	-	166	0.8	-	1.7
W60/04 + L6615-KP	5.59	5.83	28.43	-	59.84	35	-	175	0.8	-	1.9
W60/05 + L6617-KP	5.59	5.83	32.87	-	65.67	40	-	190	0.8	-	1.9
W60/06-B + L6620-KP	5.59	5.83	37.32	-	71.30	46	-	201	0.8	-	1.9
W60/06 + L6625-KP	5.59	5.83	37.32	-	74.06	46	-	218	0.8	-	1.9
W60/07 + L6625-KP	5.59	5.83	41.77	-	78.50	53	-	225	1.3	-	2.4
W60/08 + L6630-KP	5.59	5.83	46.22	-	85.31	59	-	244	1.3	-	2.4
W60/09-B + L6630-KP	5.59	5.83	50.67	-	89.76	64	-	250	1.3	-	2.4

Note: ØE = For single cable motor maximum diameter of pump inclusive of cable guard.
For two cable motor maximum diameter of pump inclusive of cable guard will increase by 0.12 inch.

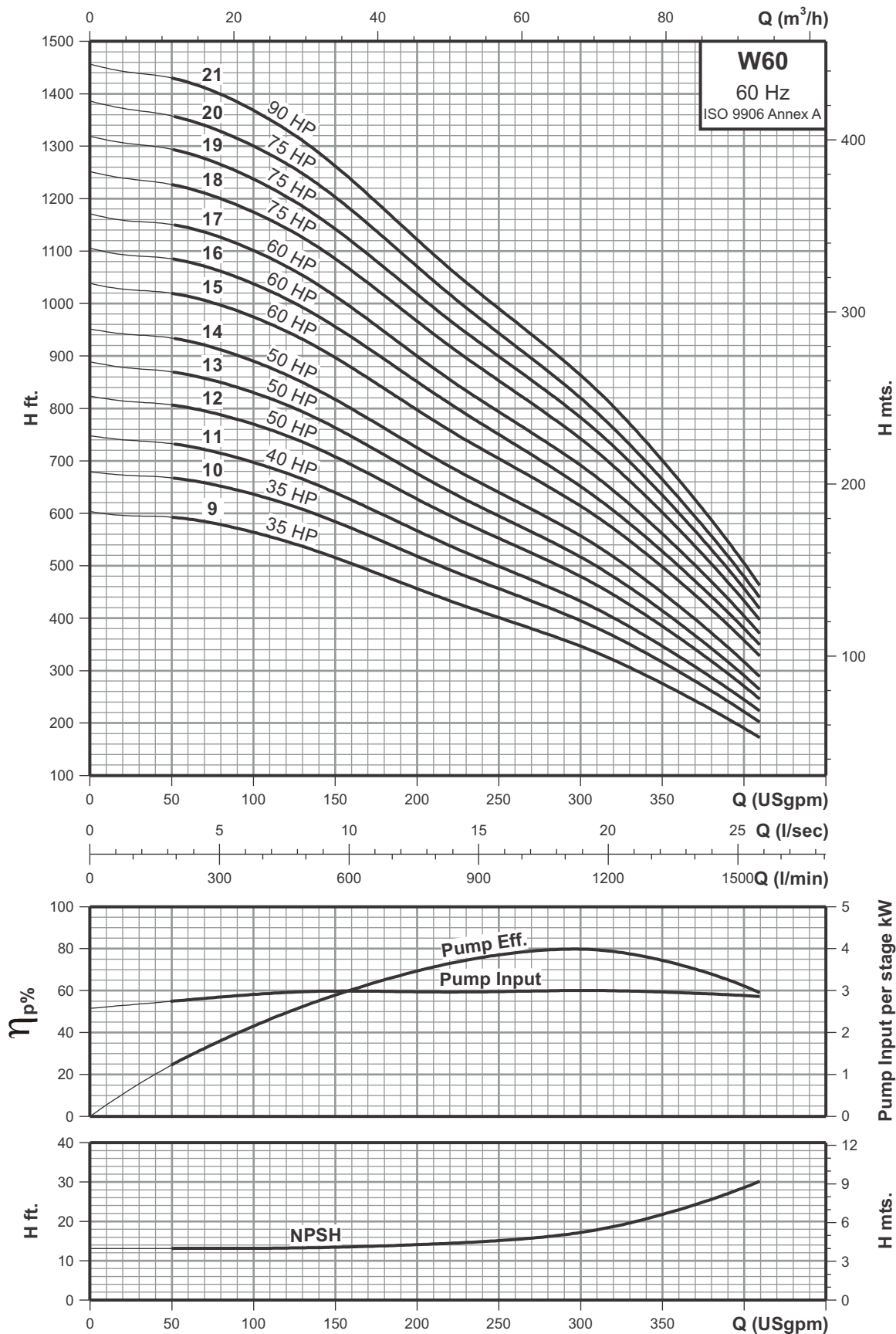
Add -T subscript to motor type for 4" Oil filled and Water filled 3 ~ motor.

All dimensions in inches unless otherwise noted.

Performance curves

Mixed flow 6" stainless steel submersible bore well pumps

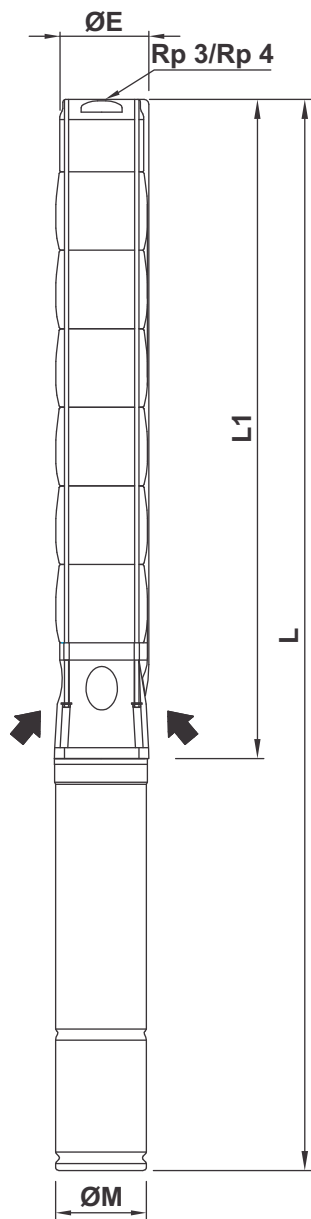
W60



Technical data

Mixed flow 6" stainless steel submersible bore well pumps

W60



Performance chart

Pump type	Motor type	HP	kW	Q l/min	n = 3450 rpm						
					H ft.						
	Water filled	USgpm	0	83	167	500	834	1167	1550		
W60/9	L6635-KP	35.0	26.0	604	595	594	535	433	336	172	
W60/10	L6635-KP	35.0	26.0	679	673	669	605	492	384	202	
W60/11	L6640-KP	40.0	30.0	748	740	735	663	538	420	223	
W60/12	L6650-KP	50.0	37.0	823	814	809	733	595	466	246	
W60/13	L6650-KP	50.0	37.0	889	878	872	791	641	502	264	
W60/14	L6650-KP	50.0	37.0	951	942	937	846	689	541	289	
W60/15	L8660-KH	60.0	45.0	1038	1027	1022	928	758	597	328	
W60/16	L8660-KH	60.0	45.0	1106	1093	1088	989	809	633	349	
W60/17	L8660-KH	60.0	45.0	1171	1158	1153	1050	855	673	371	
W60/18	L8675-KH	75.0	55.0	1252	1239	1230	1122	919	722	397	
W60/19	L8675-KH	75.0	55.0	1319	1306	1298	1181	968	761	418	
W60/20	L8675-KH	75.0	55.0	1386	1371	1362	1243	1017	797	440	
W60/21	L8690-H	90.0	66.0	1457	1442	1434	1306	1066	840	463	

Dimensions & weights of pump with Water filled motor

Type Pump + Motor	$\varnothing M$ [inch]	$\varnothing E$ [inch]	Length [inch]		Gross weight [lbs]			Gross volume [ft ³]			
			L1	L		Pump	Pump+Motor		Pump	Pump+Motor	
				1 ~	3 ~		1 ~	3 ~		1 ~	3 ~
W60/09 + L6635-KP	5.59	5.83	50.67	-	92.13	64	-	294	1.3	-	5.6
W60/10 + L6635-KP	5.59	5.83	55.12	-	96.57	70	-	299	1.3	-	5.6
W60/11 + L6640-KP	5.59	5.83	59.57	-	104.17	76	-	323	1.3	-	6.0
W60/12 + L6650-KP	5.59	5.83	67.17	-	113.74	82	-	356	1.6	-	6.3
W60/13 + L6650-KP	5.59	5.83	71.61	-	118.19	88	-	361	1.6	-	6.3
W60/14 + L6650-KP	5.59	5.83	76.18	-	122.76	94	-	367	1.6	-	6.3
W60/15 + L8660-KH	7.48	7.48	78.62	-	126.34	142	-	614	5.2	-	12.7
W60/16 + L8660-KH	7.48	7.48	83.07	-	130.79	151	-	623	5.4	-	13.0
W60/17 + L8660-KH	7.48	7.48	87.52	-	135.24	158	-	630	5.7	-	13.2
W60/18 + L8675-KH	7.48	7.48	91.97	-	141.65	166	-	669	6.0	-	13.8
W60/19 + L8675-KH	7.48	7.48	102.83	-	152.52	174	-	677	6.3	-	14.0
W60/20 + L8675-KH	7.48	7.48	107.28	-	156.97	182	-	685	6.5	-	14.3
W60/21 + L8690-H	7.48	7.48	111.73	-	168.15	190	-	778	6.8	-	15.4

Note: $\varnothing E$ = For single cable motor maximum diameter of pump inclusive of cable guard.
For two cable motor maximum diameter of pump inclusive of cable guard will increase by 0.12 inch.

All dimensions in inches unless otherwise noted.