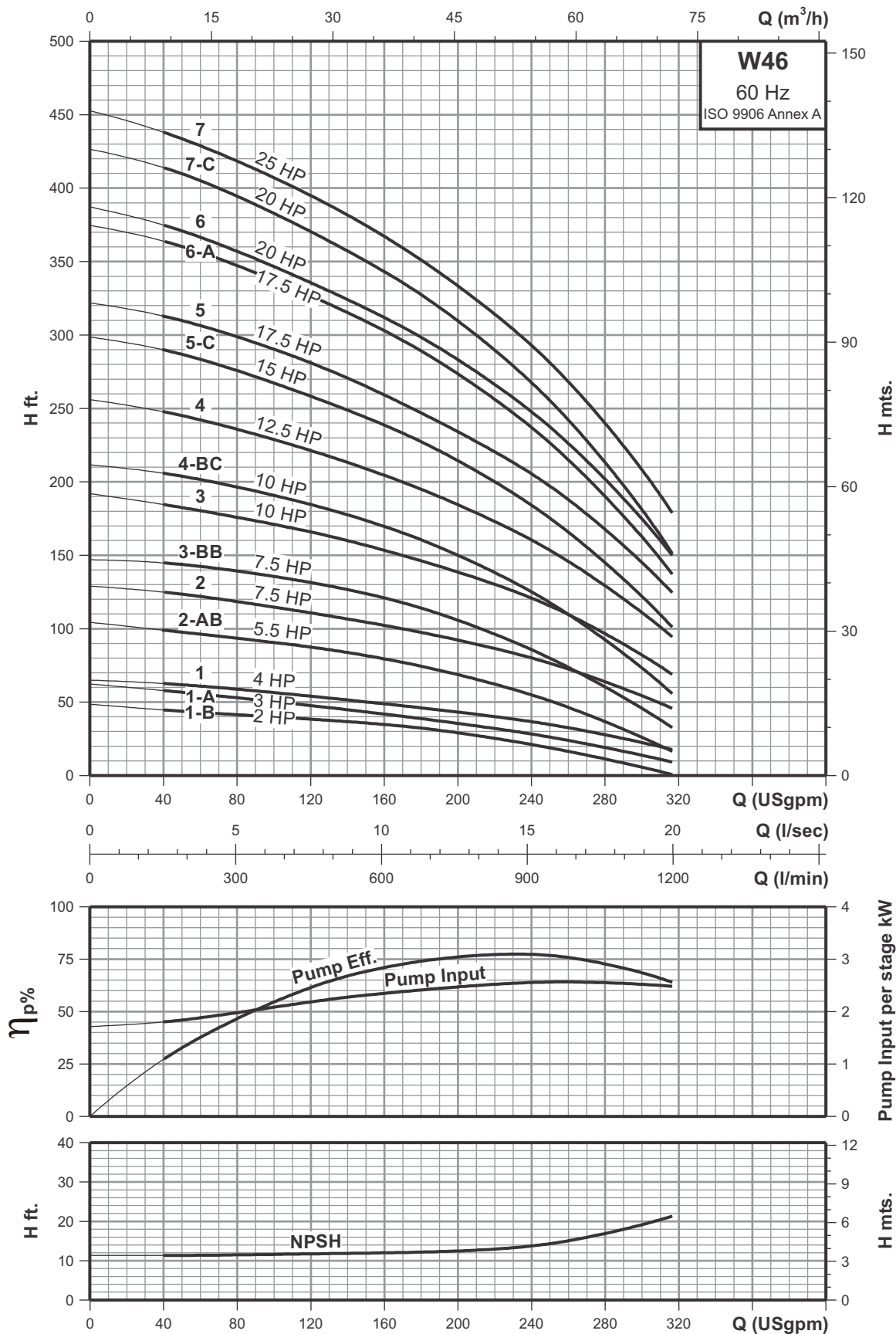


Performance curves

Mixed flow 6" stainless steel submersible bore well pumps

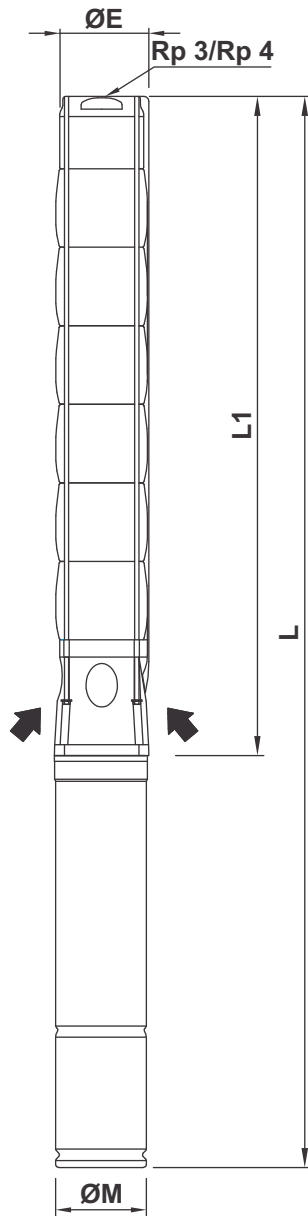
W46



Technical data

Mixed flow 6" stainless steel submersible bore well pumps

W46



Performance chart

Pump type	Motor type		HP	kW	Q l/min USgpm	n = 3450 rpm					
	Oil filled	Water filled				0	167	500	667	933	1198
						0	44	132.1	176.2	246.5	316.5
W46/1-B	H4620	L4620	2.00	1.50	H ft.	49	44	37	33	20	1
W46/1-A	H4630	L4630	3.00	2.20		62	57	46	39	27	9
W46/1	H4640	L4640	4.00	3.00		65	62	52	47	35	18
W46/2-AB	H4655	L4655	5.50	4.00		104	98	85	75	52	16
W46/2	H4675	L4675	7.50	5.50		129	124	108	98	78	46
W46/3-BB	H4675	L4675	7.50	5.50		147	144	129	115	82	33
W46/3	H46100	L6610-KP	10.0	7.50		192	184	162	148	117	69
W46/4-BC	-	L6610-KP	10.0	7.50		212	205	180	162	120	56
W46/4	-	L6612-KP	12.5	9.30		256	247	217	197	156	94
W46/5-C	-	L6615-KP	15.0	11.0		299	289	253	230	178	101
W46/5	-	L6617-KP	17.5	13.0		322	312	275	249	200	125
W46/6-A	-	L6617-KP	17.5	13.0		375	363	320	292	230	137
W46/6	-	L6620-KP	20.0	15.0		387	373	329	301	241	150
W46/7-C	-	L6620-KP	20.0	15.0		427	412	363	331	260	151
W46/7	-	L6625-KP	25.0	18.5	453	436	387	354	285	179	

Dimensions & weights of pump with Oil filled motor

Type Pump + Motor	$\varnothing M$ [inch]	$\varnothing E$ [inch]	Length [inch]			Gross weight [lbs]			Gross volume [ft ³]		
			L1	L		Pump	Pump+Motor		Pump	Pump+Motor	
				1 ~	3 ~		1 ~	3 ~		1 ~	3 ~
W46/1-B + H4620	3.74	5.75	14.45	34.33	32.76	17	51	49	0.8	1.2	1.2
W46/1-A + H4630	3.74	5.75	14.45	36.69	34.33	17	61	52	0.8	1.2	1.2
W46/1 + H4640	3.74	5.75	14.45	-	36.69	17	-	59	0.8	-	1.2
W46/2-AB + H4655	3.74	5.75	18.90	45.08	43.11	22	72	70	0.8	1.3	1.2
W46/2 + H4675	3.74	5.75	18.90	-	45.08	22	-	77	0.8	-	1.3
W46/3-BB + H4675	3.74	5.75	23.35	-	49.53	28	-	83	0.8	-	1.3
W46/3 + H46100	3.74	5.75	23.35	-	55.04	28	-	98	0.8	-	1.3
W46/4-BC + H46100	3.74	5.75	27.80	-	59.49	35	-	104	0.8	-	1.3

Dimensions & weights of pump with Water filled motor

Type Pump + Motor	$\varnothing M$ [inch]	$\varnothing E$ [inch]	Length [inch]			Gross weight [lbs]			Gross volume [ft ³]		
			L1	L		Pump	Pump+Motor		Pump	Pump+Motor	
				1 ~	3 ~		1 ~	3 ~		1 ~	3 ~
W46/1-B + L4620	3.74	5.75	14.45	38.50	36.93	17	67	66	0.8	1.2	1.2
W46/1-A + L4630	3.74	5.75	14.45	42.44	40.87	17	75	73	0.8	1.3	1.3
W46/1 + L4640	3.74	5.75	14.45	-	42.83	17	-	78	0.8	-	1.3
W46/2-AB + L4655	3.74	5.75	18.90	52.01	51.22	22	89	96	0.8	1.3	1.3
W46/2 + L4675	3.74	5.75	18.90	-	53.98	22	-	98	0.8	-	1.3
W46/3-BB + L4675	3.74	5.75	23.35	-	58.43	28	-	104	0.8	-	1.3
W46/3 + L6610-KP	5.59	5.83	23.98	-	51.85	28	-	147	0.8	-	1.7
W46/4-BC + L6610-KP	5.59	5.83	28.43	-	56.30	35	-	154	0.8	-	1.7
W46/4 + L6612-KP	5.59	5.83	28.43	-	58.27	35	-	166	0.8	-	1.7
W46/5-C + L6615-KP	5.59	5.83	32.87	-	64.29	40	-	181	0.8	-	1.9
W46/5 + L6617-KP	5.59	5.83	32.87	-	65.67	40	-	190	0.8	-	1.9
W46/6-A + L6617-KP	5.59	5.83	37.32	-	70.12	46	-	196	0.8	-	1.9
W46/6 + L6620-KP	5.59	5.83	37.32	-	71.30	46	-	201	0.8	-	1.9
W46/7-C + L6620-KP	5.59	5.83	41.77	-	75.75	53	-	208	1.3	-	2.4
W46/7 + L6625-KP	5.59	5.83	41.77	-	78.50	53	-	225	1.3	-	2.4

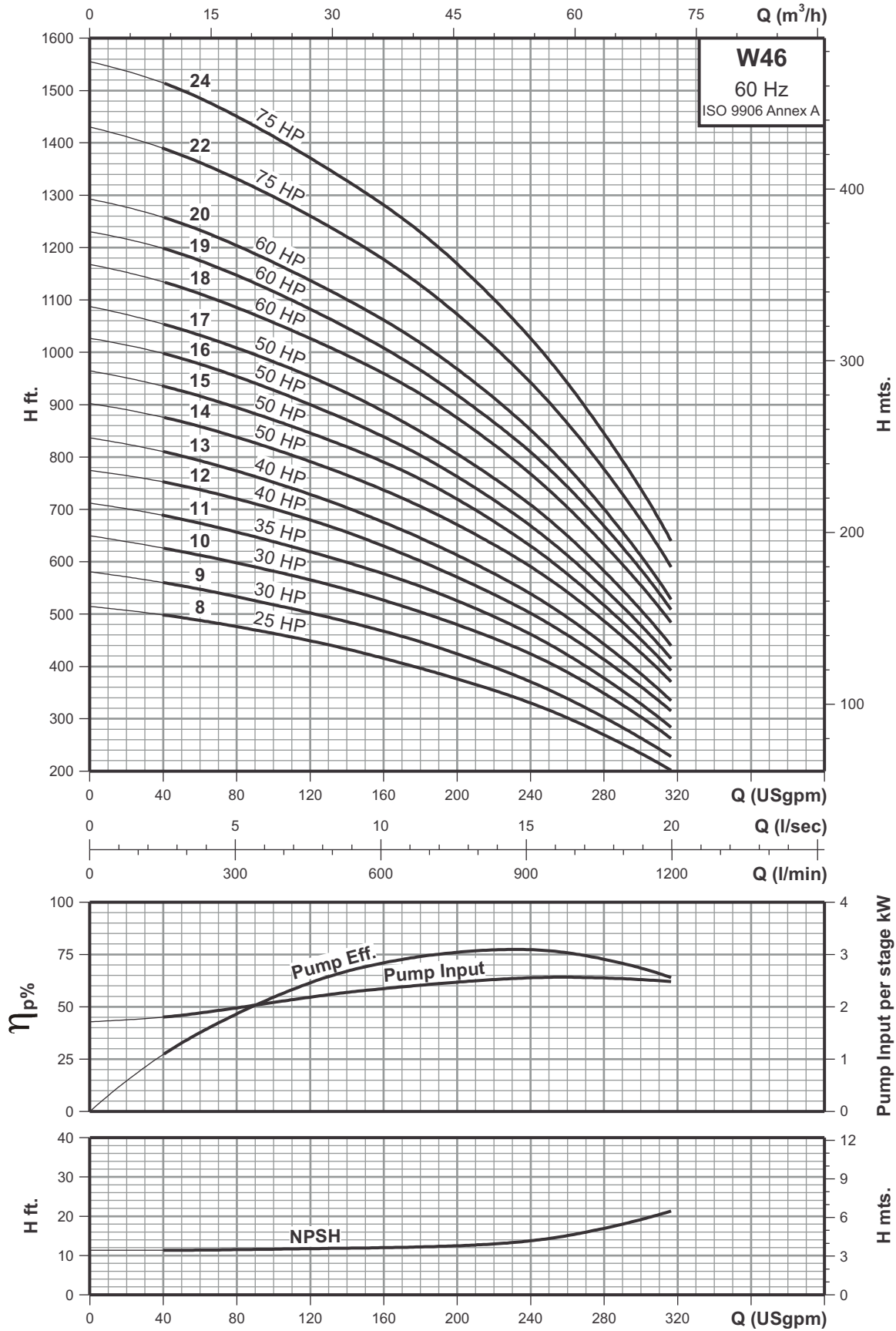
Note: $\varnothing E$ = For single cable motor maximum diameter of pump inclusive of cable guard.
 For two cable motor maximum diameter of pump inclusive of cable guard will increase by 0.12 inch.

Add -T subscript to motor type for 4" Oil filled and Water filled 3 ~ motor.
 All dimensions in inches unless otherwise noted.

Performance curves

Mixed flow 6" stainless steel submersible bore well pumps

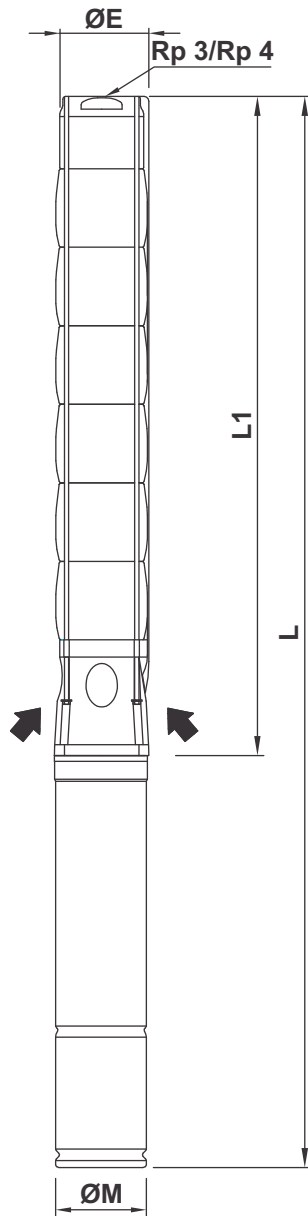
W46



Technical data

Mixed flow 6" stainless steel submersible bore well pumps

W46



Performance chart

Pump type	Motor type	HP	kW	Q l/min USgpm	n = 3450 rpm					
					Water filled					
	0	167	500		667	933	1198			
W46/8	L6625-KP	25.0	18.5	H ft.	514	496	440	400	322	202
W46/9	L6630-KP	30.0	22.0		581	558	492	451	361	228
W46/10	L6630-KP	30.0	22.0		650	623	554	509	413	262
W46/11	L6635-KP	35.0	26.0		712	686	607	558	449	284
W46/12	L6640-KP	40.0	30.0		774	750	666	607	489	315
W46/13	L6640-KP	40.0	30.0		837	807	714	651	525	335
W46/14	L6650-KP	50.0	37.0		902	873	776	712	576	371
W46/15	L6650-KP	50.0	37.0		965	932	830	764	614	392
W46/16	L6650-KP	50.0	37.0		1027	994	883	810	651	415
W46/17	L6650-KP	50.0	37.0		1088	1050	935	856	691	440
W46/18	L8660-KH	60.0	45.0		1168	1130	1007	928	748	484
W46/19	L8660-KH	60.0	45.0		1230	1194	1061	974	789	509
W46/20	L8660-KH	60.0	45.0		1293	1253	1115	1027	830	528
W46/22	L8675-KH	75.0	55.0		1430	1385	1237	1138	919	590
W46/24	L8675-KH	75.0	55.0		1555	1509	1345	1240	1001	640

Dimensions & weights of pump with Water filled motor

Type Pump + Motor	ØM [inch]	ØE [inch]	Length [inch]		Gross weight [lbs]		Gross volume [ft³]				
			L1	L		Pump	Pump+Motor		Pump	Pump+Motor	
				1 ~	3 ~		1 ~	3 ~		1 ~	3 ~
W46/08 + L6625-KP	5.59	5.83	46.22	-	82.95	59	-	231	1.3	-	2.4
W46/09 + L6630-KP	5.59	5.83	50.67	-	89.76	64	-	250	1.3	-	2.4
W46/10 + L6630-KP	5.59	5.83	55.12	-	94.21	70	-	256	1.3	-	2.4
W46/11 + L6635-KP	5.59	5.83	59.57	-	101.02	76	-	305	1.3	-	5.6
W46/12 + L6640-KP	5.59	5.83	64.02	-	108.62	82	-	329	1.6	-	6.3
W46/13 + L6640-KP	5.59	5.83	68.46	-	113.07	88	-	335	1.6	-	6.3
W46/14 + L6650-KP	5.59	5.83	76.06	-	122.64	94	-	367	1.6	-	6.3
W46/15 + L6650-KP	5.59	5.83	80.51	-	127.09	142	-	416	5.2	-	9.9
W46/16 + L6650-KP	5.59	5.83	84.96	-	131.54	151	-	424	5.4	-	10.1
W46/17 + L6650-KP	5.59	5.83	89.41	-	135.98	158	-	431	5.7	-	10.4
W46/18 + L8660-KH	7.48	7.48	91.85	-	139.57	166	-	638	6.0	-	13.5
W46/19 + L8660-KH	7.48	7.48	96.30	-	144.02	174	-	646	6.3	-	13.8
W46/20 + L8660-KH	7.48	7.48	100.75	-	148.46	182	-	654	6.5	-	14.0
W46/22 + L8675-KH	7.48	7.48	116.06	-	165.75	198	-	700	7.1	-	14.9
W46/24 + L8675-KH	7.48	7.48	124.96	-	174.65	214	-	716	7.6	-	15.4

Note: ØE = For single cable motor maximum diameter of pump inclusive of cable guard.
For two cable motor maximum diameter of pump inclusive of cable guard will increase by 0.12 inch.

All dimensions in inches unless otherwise noted.

W46/20 to W46/24 are mounted in sleeve for Rp 3 connection.