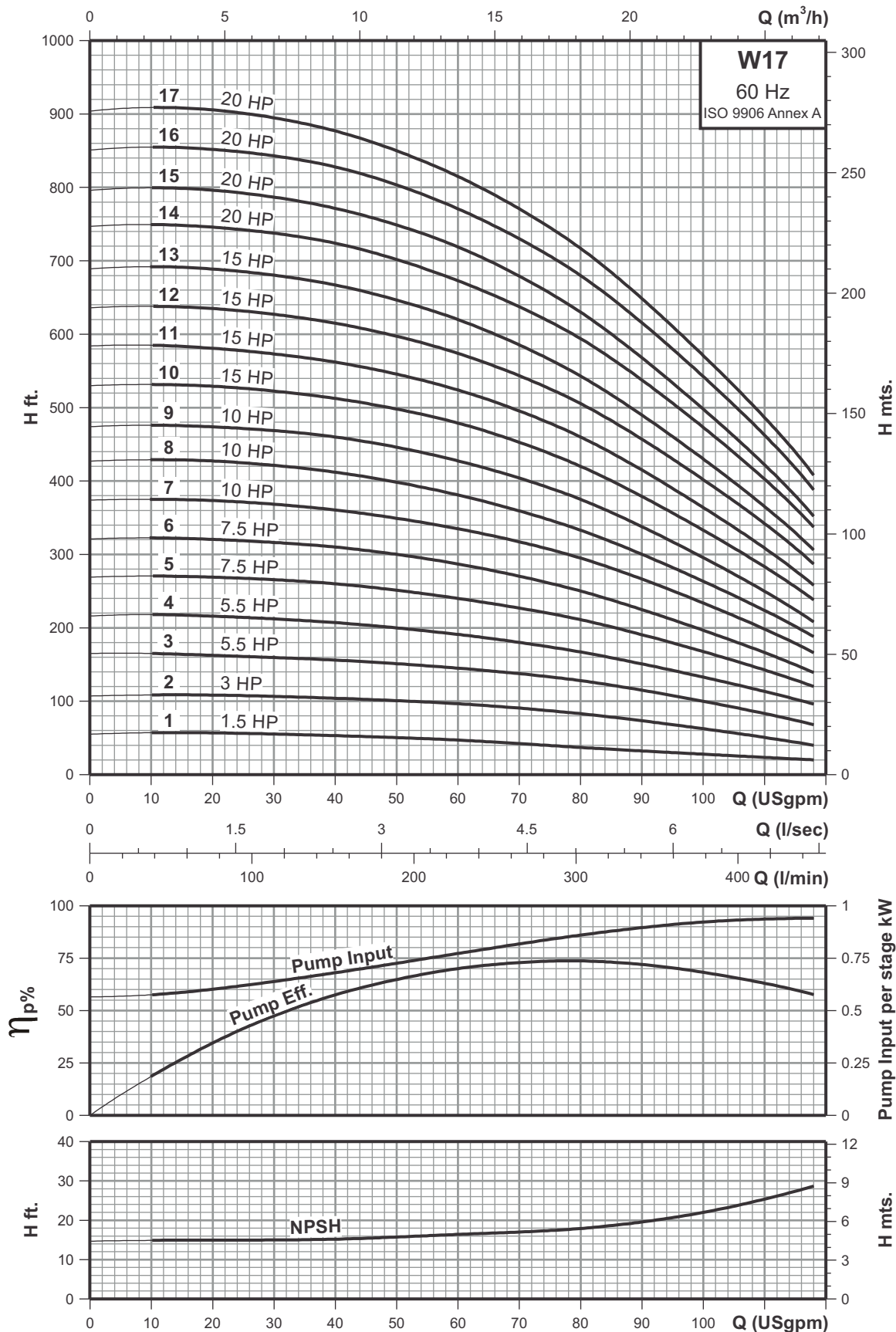


Performance curves

Mixed flow 6" stainless steel submersible bore well pumps

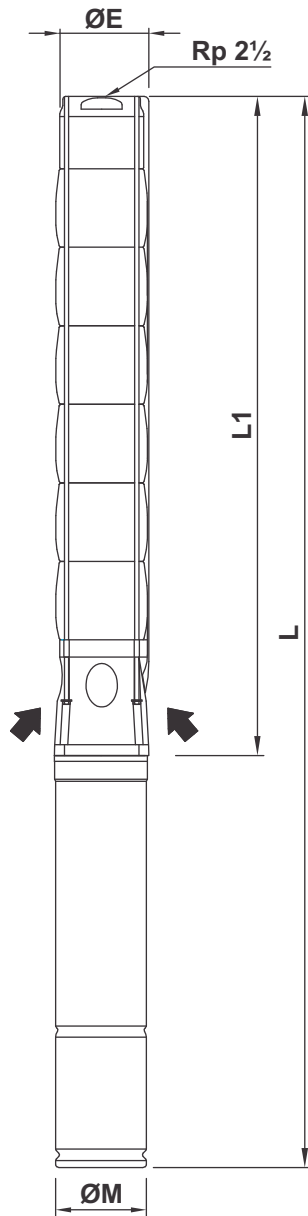
W17



Technical data

Mixed flow 6" stainless steel submersible bore well pumps

W17



Performance chart

Pump type	Motor type		HP	kW	Q l/min USgpm	n = 3450 rpm							
	Oil filled	Water filled				0	38	68	151	227	303	447	
						0	10	18	40	60	80	118	
W17/1	H4615	L4615	1.50	1.10	H ft.	55	57	57	53	47	37	20	
W17/2	H4630	L4630	3.00	2.20		107	109	109	104	97	83	40	40
W17/3	H4655	L4655	5.50	4.00		159	160	163	156	145	128	68	68
W17/4	H4655	L4655	5.50	4.00		211	212	217	207	191	167	96	96
W17/5	H4675	L4675	7.50	5.50		263	263	270	260	240	211	120	120
W17/6	H4675	L4675	7.50	5.50		315	315	321	310	287	250	139	139
W17/7	H46100	L6610-KP	10.0	7.50		367	366	374	361	335	295	166	166
W17/8	H46100	L6610-KP	10.0	7.50		419	418	428	412	381	333	188	188
W17/9	H46100	L6610-KP	10.0	7.50		471	469	475	460	428	375	208	208
W17/10	-	L6615-KP	15.0	11.0		523	521	530	513	479	420	238	238
W17/11	-	L6615-KP	15.0	11.0		575	572	582	562	524	460	258	258
W17/12	-	L6615-KP	15.0	11.0		627	624	636	615	574	506	287	287
W17/13	-	L6615-KP	15.0	11.0		679	675	690	667	620	543	306	306
W17/14	-	L6620-KP	20.0	15.0		747	750	747	724	673	594	337	337
W17/15	-	L6620-KP	20.0	15.0		796	800	798	772	719	630	352	352
W17/16	-	L6620-KP	20.0	15.0		851	855	853	828	771	680	388	388
W17/17	-	L6620-KP	20.0	15.0		904	909	907	877	815	717	408	408

Dimensions & weights of pump with Oil filled motor

Type Pump + Motor	ØM [inch]	ØE [inch]	Length [inch]			Gross weight [lbs]			Gross volume [ft³]		
			L1	L		Pump	Pump+Motor		Pump	Pump+Motor	
				1 ~	3 ~		1 ~	3 ~		1 ~	3 ~
W17/1 + H4615	3.74	5.16	12.36	30.67	29.09	15	45	41	0.8	1.2	1.2
W17/2 + H4630	3.74	5.16	14.72	36.97	34.61	18	62	53	0.8	1.2	1.2
W17/3 + H4655	3.74	5.16	17.13	43.31	41.34	20	70	67	0.8	1.3	1.2
W17/4 + H4655	3.74	5.16	19.49	45.67	43.70	23	73	70	0.8	1.3	1.2
W17/5 + H4675	3.74	5.16	21.89	-	48.07	26	-	80	0.8	-	1.3
W17/6 + H4675	3.74	5.16	24.25	-	50.43	28	-	83	0.8	-	1.3
W17/7 + H46100	3.74	5.16	26.65	-	58.35	32	-	102	0.8	-	1.3
W17/8 + H46100	3.74	5.16	29.02	-	60.71	35	-	104	0.8	-	1.3
W17/9 + H46100	3.74	5.16	31.42	-	63.11	37	-	107	0.8	-	1.3

Dimensions & weights of pump with Water filled motor

Type Pump + Motor	ØM [inch]	ØE [inch]	Length [inch]			Gross weight [lbs]			Gross volume [ft³]		
			L1	L		Pump	Pump+Motor		Pump	Pump+Motor	
				1 ~	3 ~		1 ~	3 ~		1 ~	3 ~
W17/1 + L4615	3.74	5.16	12.36	32.48	32.87	15	57	60	0.8	1.2	1.2
W17/2 + L4630	3.74	5.16	14.72	42.72	41.14	18	76	74	0.8	1.3	1.3
W17/3 + L4655	3.74	5.16	17.13	50.24	49.45	20	87	94	0.8	1.3	1.3
W17/4 + L4655	3.74	5.16	19.49	52.60	51.81	23	90	97	0.8	1.3	1.3
W17/5 + L4675	3.74	5.16	21.89	-	56.97	26	-	101	0.8	-	1.3
W17/6 + L4675	3.74	5.16	24.25	-	59.33	28	-	104	0.8	-	1.3
W17/7 + L6610-KP	5.59	5.59	27.28	-	55.16	32	-	151	0.8	-	1.7
W17/8 + L6610-KP	5.59	5.59	29.65	-	57.52	35	-	154	0.8	-	1.7
W17/9 + L6610-KP	5.59	5.59	32.05	-	59.92	37	-	157	0.8	-	1.7
W17/10 + L6615-KP	5.59	5.59	34.41	-	65.83	40	-	181	0.8	-	1.9
W17/11 + L6615-KP	5.59	5.59	36.81	-	68.23	43	-	183	0.8	-	1.9
W17/12 + L6615-KP	5.59	5.59	39.17	-	70.59	47	-	187	1.3	-	2.4
W17/13 + L6615-KP	5.59	5.59	41.57	-	72.99	50	-	190	1.3	-	2.4
W17/14 + L6620-KP	5.59	5.59	43.94	-	77.91	52	-	207	1.3	-	2.4
W17/15 + L6620-KP	5.59	5.59	46.34	-	80.31	55	-	210	1.3	-	2.4
W17/16 + L6620-KP	5.59	5.59	48.70	-	82.68	58	-	213	1.3	-	2.4
W17/17 + L6620-KP	5.59	5.59	51.10	-	85.08	61	-	216	1.3	-	2.4

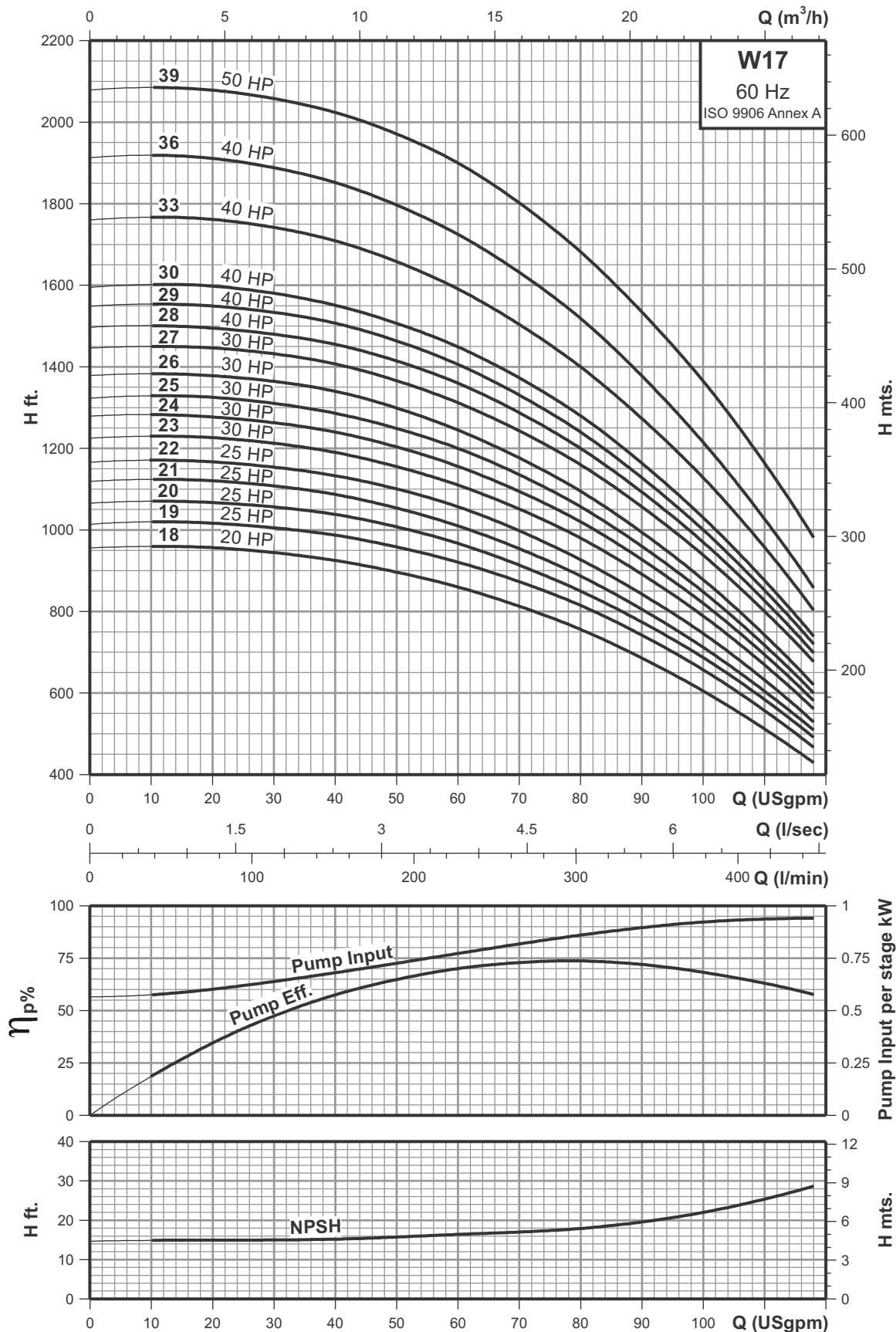
Note: ØE = For single cable motor maximum diameter of pump inclusive of cable guard.
For two cable motor maximum diameter of pump inclusive of cable guard will increase by 0.12 inch.

Add -T subscript to motor type for 4" Oil filled and Water filled 3 ~ motor.
All dimensions in inches unless otherwise noted.

Performance curves

Mixed flow 6" stainless steel submersible bore well pumps

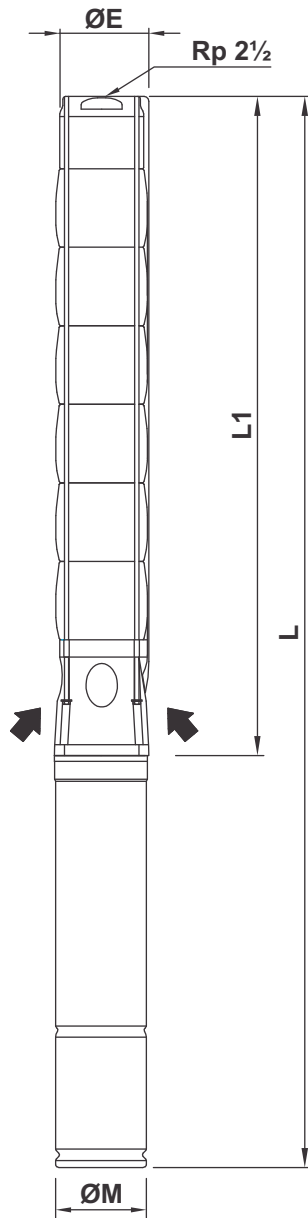
W17



Technical data

Mixed flow 6" stainless steel submersible bore well pumps

W17



W17/33 to W17/39 are mounted in sleeve for Rp 3 connection.

Performance chart

Pump type	Motor type	HP	kW	Q	n = 3450 rpm						
					I/min	0	38	68	151	227	303
	Water filled	USgpm	0	10		18	40	60	80	118	
W17/18	L6620-KP	20.0	15.0	H ft.	956	960	958	925	860	756	429
W17/19	L6625-KP	25.0	18.5		1014	1020	1018	987	921	815	467
W17/20	L6625-KP	25.0	18.5		1066	1071	1069	1038	967	850	491
W17/21	L6625-KP	25.0	18.5		1119	1124	1122	1087	1010	887	509
W17/22	L6625-KP	25.0	18.5		1166	1171	1169	1133	1057	927	529
W17/23	L6630-KP	30.0	22.0		1225	1230	1228	1190	1110	980	561
W17/24	L6630-KP	30.0	22.0		1279	1283	1279	1240	1156	1020	581
W17/25	L6630-KP	30.0	22.0		1323	1329	1327	1286	1200	1057	600
W17/26	L6630-KP	30.0	22.0		1379	1383	1380	1340	1245	1095	620
W17/27	L6630-KP	30.0	22.0		1446	1450	1448	1407	1312	1160	677
W17/28	L6640-KP	40.0	30.0		1497	1501	1497	1455	1360	1200	698
W17/29	L6640-KP	40.0	30.0		1549	1554	1551	1507	1406	1240	720
W17/30	L6640-KP	40.0	30.0		1595	1602	1600	1551	1449	1280	739
W17/33	L6640-KP	40.0	30.0		1760	1767	1764	1709	1591	1400	803
W17/36	L6640-KP	40.0	30.0		1913	1919	1914	1852	1725	1519	858
W17/39	L6650-KP	50.0	37.0		2079	2085	2081	2024	1900	1682	981

Dimensions & weights of pump with Water filled motor

Type Pump + Motor	ØM [inch]	ØE [inch]	Length [inch]			Gross weight [lbs]			Gross volume [ft³]		
			L1	L		Pump	Pump+Motor		Pump	Pump+Motor	
				1 ~	3 ~		1 ~	3 ~		1 ~	3 ~
W17/18 + L6620-KP	5.59	5.59	53.46	-	87.44	63	-	218	1.3	-	2.4
W17/19 + L6625-KP	5.59	5.59	55.87	-	92.60	66	-	239	1.3	-	2.4
W17/20 + L6625-KP	5.59	5.59	58.86	-	95.59	69	-	241	1.3	-	2.4
W17/21 + L6625-KP	5.59	5.59	61.26	-	97.99	72	-	245	1.6	-	2.7
W17/22 + L6625-KP	5.59	5.59	63.62	-	100.35	75	-	248	1.6	-	2.7
W17/23 + L6630-KP	5.59	5.59	65.98	-	105.08	78	-	264	1.6	-	2.7
W17/24 + L6630-KP	5.59	5.59	68.39	-	107.48	81	-	267	1.6	-	2.7
W17/25 + L6630-KP	5.59	5.59	70.79	-	109.88	83	-	269	1.6	-	2.7
W17/26 + L6630-KP	5.59	5.59	73.15	-	112.24	86	-	272	1.6	-	2.7
W17/27 + L6630-KP	5.59	5.59	75.55	-	114.65	89	-	275	1.6	-	2.7
W17/28 + L6640-KP	5.59	5.59	77.91	-	122.52	97	-	344	1.6	-	6.3
W17/29 + L6640-KP	5.59	5.59	80.31	-	124.92	101	-	348	1.7	-	6.4
W17/30 + L6640-KP	5.59	5.59	82.68	-	127.28	105	-	352	1.7	-	6.4
W17/33 + L6640-KP	5.59	6.89	98.94	-	143.54	116	-	363	1.9	-	6.6
W17/36 + L6640-KP	5.59	6.89	106.06	-	150.67	128	-	375	2.0	-	6.7
W17/39 + L6650-KP	5.59	6.89	113.23	-	159.80	140	-	413	2.2	-	6.9

Note: ØE = For single cable motor maximum diameter of pump inclusive of cable guard.
 For two cable motor maximum diameter of pump inclusive of cable guard will increase by 0.12 inch.
 All dimensions in inches unless otherwise noted.