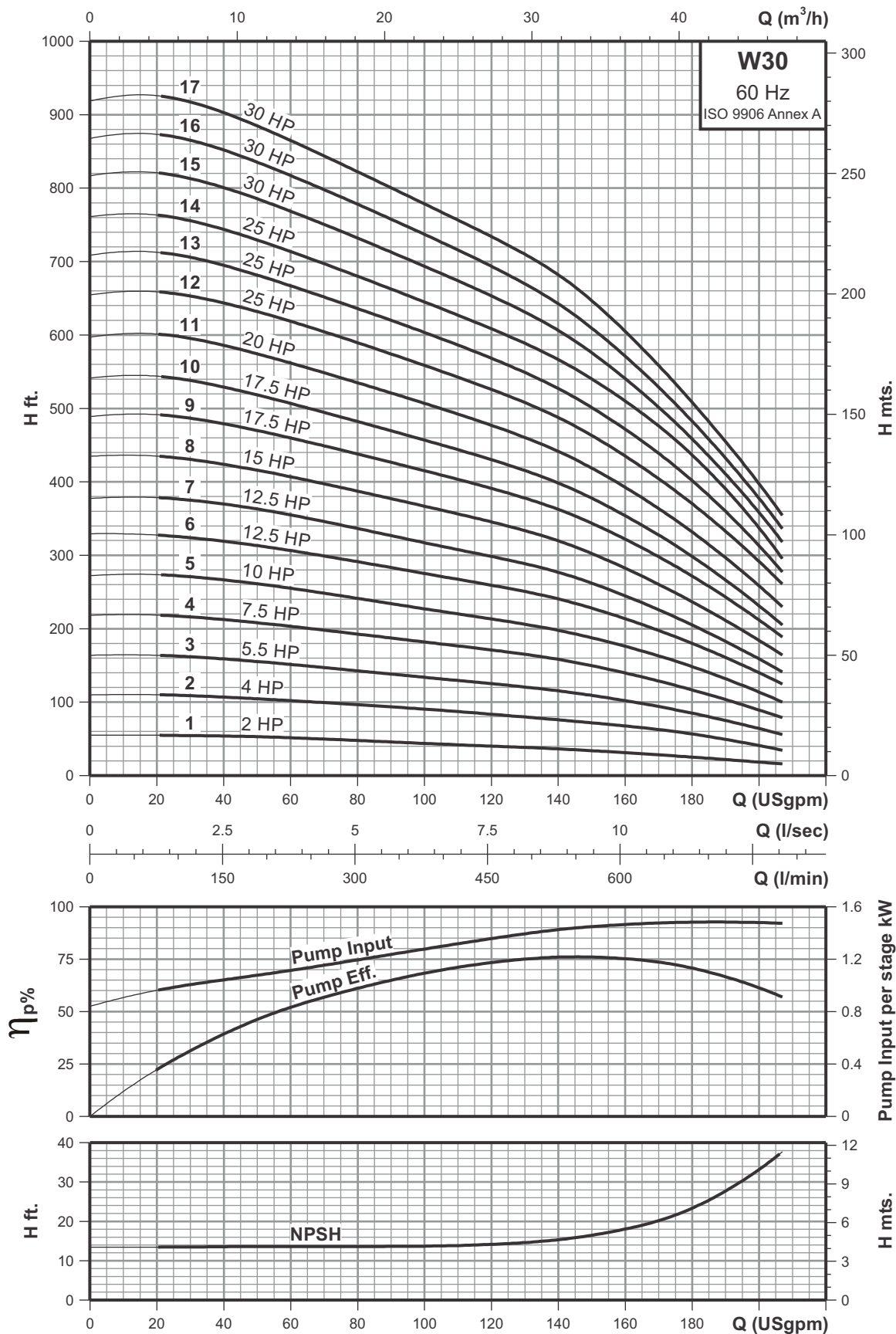


Performance curves

Mixed flow 6" stainless steel submersible bore well pumps

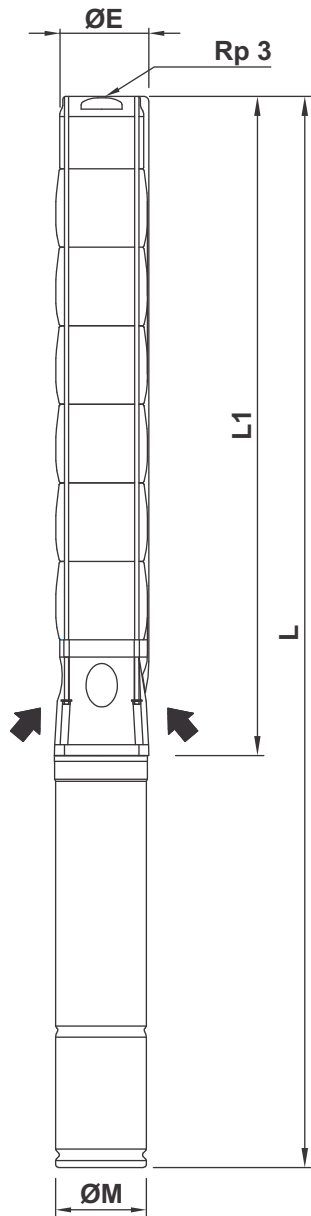
W30



Technical data

Mixed flow 6" stainless steel submersible bore well pumps

W30



Performance chart

| Pump type | Motor type | | HP | kW | Q l/min USgpm | n = 3450 rpm | | | | | | |
|-----------|------------|--------------|------|------|---------------------|--------------|------|------|-------|-------|-------|-----|
| | Oil filled | Water filled | | | | 0 | 67 | 200 | 400 | 533 | 667 | 783 |
| | | | | | | 0 | 17.6 | 52.8 | 105.7 | 140.9 | 176.2 | 207 |
| W30/1 | H4620 | L4620 | 2.00 | 1.50 | H ft. | 55 | 55 | 52 | 43 | 36 | 26 | 16 |
| W30/2 | H4640 | L4640 | 4.00 | 3.00 | | 110 | 110 | 104 | 89 | 75 | 59 | 34 |
| W30/3 | H4655 | L4655 | 5.50 | 4.00 | | 164 | 164 | 154 | 131 | 115 | 89 | 56 |
| W30/4 | H4675 | L4675 | 7.50 | 5.50 | | 218 | 219 | 207 | 179 | 157 | 121 | 79 |
| W30/5 | H46100 | L6610-KP | 10.0 | 7.50 | | 272 | 274 | 259 | 223 | 197 | 154 | 100 |
| W30/6 | - | L6612-KP | 12.5 | 9.30 | | 329 | 328 | 311 | 271 | 240 | 187 | 125 |
| W30/7 | - | L6612-KP | 12.5 | 9.30 | | 377 | 379 | 361 | 312 | 276 | 213 | 141 |
| W30/8 | - | L6615-KP | 15.0 | 11.0 | | 435 | 436 | 413 | 361 | 318 | 246 | 164 |
| W30/9 | - | L6617-KP | 17.5 | 13.0 | | 489 | 492 | 467 | 408 | 361 | 282 | 189 |
| W30/10 | - | L6617-KP | 17.5 | 13.0 | | 541 | 545 | 515 | 449 | 397 | 310 | 205 |
| W30/11 | - | L6620-KP | 20.0 | 15.0 | | 597 | 602 | 571 | 499 | 440 | 344 | 230 |
| W30/12 | - | L6625-KP | 25.0 | 18.5 | | 655 | 659 | 628 | 550 | 486 | 384 | 261 |
| W30/13 | - | L6625-KP | 25.0 | 18.5 | | 709 | 714 | 677 | 594 | 525 | 417 | 277 |
| W30/14 | - | L6625-KP | 25.0 | 18.5 | | 761 | 764 | 725 | 635 | 564 | 453 | 295 |
| W30/15 | - | L6630-KP | 30.0 | 22.0 | | 817 | 822 | 781 | 682 | 604 | 476 | 318 |
| W30/16 | - | L6630-KP | 30.0 | 22.0 | | 868 | 874 | 830 | 725 | 640 | 501 | 336 |
| W30/17 | - | L6630-KP | 30.0 | 22.0 | | 919 | 927 | 879 | 766 | 679 | 528 | 354 |

Dimensions & weights of pump with Oil filled motor

| Type Pump + Motor | ØM [inch] | ØE [inch] | Length [inch] | | | Gross weight [lbs] | | | Gross volume [ft³] | | |
|----------------------|--------------|--------------|---------------|-------|-------|--------------------|------------|-----|--------------------|------------|-----|
| | | | L1 | L | | Pump | Pump+Motor | | Pump | Pump+Motor | |
| | | | | 1 ~ | 3 ~ | | 1 ~ | 3 ~ | | 1 ~ | 3 ~ |
| W30/1 + H4620 | 3.74 | 5.16 | 13.74 | 33.62 | 32.05 | 15 | 50 | 48 | 0.8 | 1.2 | 1.2 |
| W30/2 + H4640 | 3.74 | 5.16 | 17.52 | - | 39.76 | 19 | - | 62 | 0.8 | - | 1.2 |
| W30/3 + H4655 | 3.74 | 5.16 | 21.30 | 47.48 | 45.51 | 24 | 73 | 71 | 0.8 | 1.3 | 1.2 |
| W30/4 + H4675 | 3.74 | 5.16 | 25.08 | - | 51.26 | 28 | - | 83 | 0.8 | - | 1.3 |
| W30/5 + H46100 | 3.74 | 5.16 | 28.86 | - | 60.55 | 33 | - | 103 | 0.8 | - | 1.3 |

Dimensions & weights of pump with Water filled motor

| Type Pump + Motor | ØM [inch] | ØE [inch] | Length [inch] | | | Gross weight [lbs] | | | Gross volume [ft³] | | |
|----------------------|--------------|--------------|---------------|-------|--------|--------------------|------------|-----|--------------------|------------|-----|
| | | | L1 | L | | Pump | Pump+Motor | | Pump | Pump+Motor | |
| | | | | 1 ~ | 3 ~ | | 1 ~ | 3 ~ | | 1 ~ | 3 ~ |
| W30/1 + L4620 | 3.74 | 5.16 | 13.74 | 37.80 | 36.22 | 15 | 65 | 65 | 0.8 | 1.2 | 1.2 |
| W30/2 + L4640 | 3.74 | 5.16 | 17.52 | - | 45.91 | 19 | - | 81 | 0.8 | - | 1.3 |
| W30/3 + L4655 | 3.74 | 5.16 | 21.30 | 54.41 | 53.62 | 24 | 90 | 97 | 0.8 | 1.3 | 1.3 |
| W30/4 + L4675 | 3.74 | 5.16 | 25.08 | - | 60.16 | 28 | - | 104 | 0.8 | - | 1.3 |
| W30/5 + L6610-KP | 5.59 | 5.59 | 29.49 | - | 57.36 | 33 | - | 152 | 0.8 | - | 1.7 |
| W30/6 + L6612-KP | 5.59 | 5.59 | 33.27 | - | 63.11 | 37 | - | 168 | 0.8 | - | 1.7 |
| W30/7 + L6612-KP | 5.59 | 5.59 | 37.05 | - | 66.89 | 42 | - | 173 | 0.8 | - | 1.7 |
| W30/8 + L6615-KP | 5.59 | 5.59 | 40.83 | - | 72.24 | 48 | - | 188 | 1.3 | - | 2.4 |
| W30/9 + L6617-KP | 5.59 | 5.59 | 44.61 | - | 77.40 | 52 | - | 202 | 1.3 | - | 2.4 |
| W30/10 + L6617-KP | 5.59 | 5.59 | 48.39 | - | 81.18 | 57 | - | 207 | 1.3 | - | 2.4 |
| W30/11 + L6620-KP | 5.59 | 5.59 | 52.17 | - | 86.14 | 62 | - | 217 | 1.3 | - | 2.4 |
| W30/12 + L6625-KP | 5.59 | 5.59 | 55.94 | - | 92.68 | 66 | - | 239 | 1.3 | - | 2.4 |
| W30/13 + L6625-KP | 5.59 | 5.59 | 59.72 | - | 96.46 | 72 | - | 244 | 1.6 | - | 2.7 |
| W30/14 + L6625-KP | 5.59 | 5.59 | 63.50 | - | 100.24 | 76 | - | 249 | 1.6 | - | 2.7 |
| W30/15 + L6630-KP | 5.59 | 5.59 | 67.28 | - | 106.38 | 81 | - | 267 | 1.6 | - | 2.7 |
| W30/16 + L6630-KP | 5.59 | 5.59 | 71.06 | - | 110.16 | 86 | - | 271 | 1.6 | - | 2.7 |
| W30/17 + L6630-KP | 5.59 | 5.59 | 74.84 | - | 113.94 | 90 | - | 276 | 1.6 | - | 2.7 |

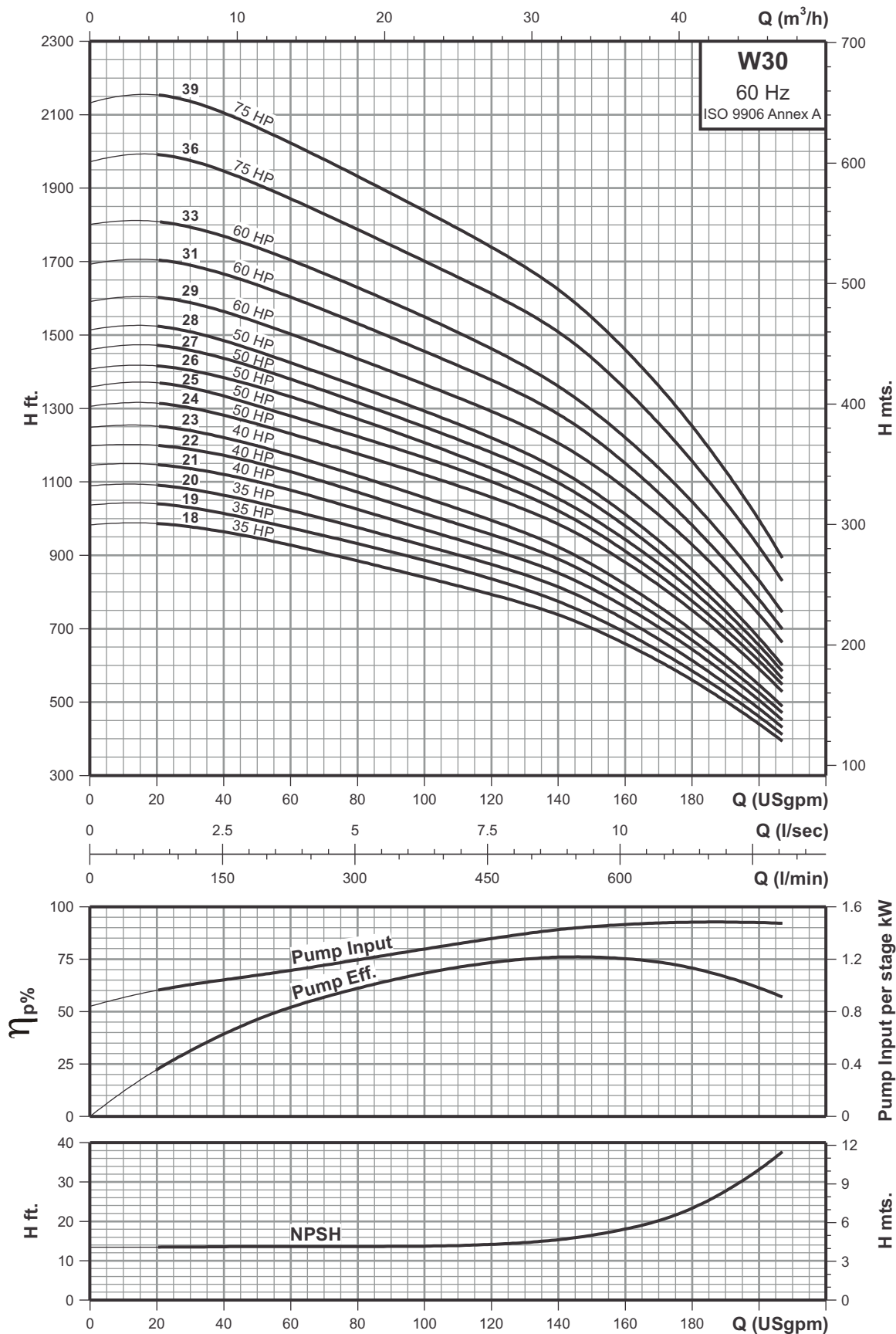
Note: ØE = For single cable motor maximum diameter of pump inclusive of cable guard.
For two cable motor maximum diameter of pump inclusive of cable guard will increase by 0.12 inch.

Add -T subscript to motor type for 4" Oil filled and Water filled 3 ~ motor.
All dimensions in inches unless otherwise noted.

Performance curves

Mixed flow 6" stainless steel submersible bore well pumps

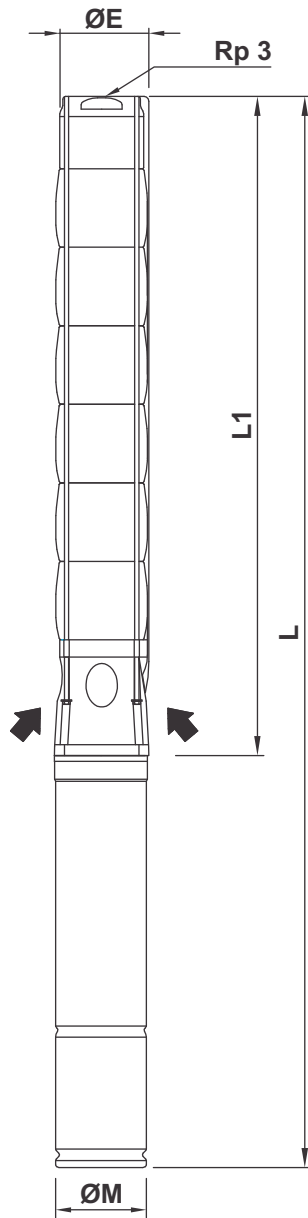
W30



Technical data

Mixed flow 6" stainless steel submersible bore well pumps

W30



Performance chart

| Pump type | Motor type | HP | kW | Q | n = 3450 rpm | | | | | | |
|-----------|--------------|-------|------|-------|--------------|-------|-------|-------|------|------|-----|
| | | | | | I/min | 0 | 67 | 200 | 400 | 533 | 667 |
| | Water filled | USgpm | 0 | 17.6 | 52.8 | 105.7 | 140.9 | 176.2 | 207 | | |
| W30/18 | L6635-KP | 35.0 | 26.0 | H ft. | 983 | 988 | 942 | 827 | 735 | 581 | 394 |
| W30/19 | L6635-KP | 35.0 | 26.0 | | 1037 | 1042 | 989 | 873 | 771 | 607 | 412 |
| W30/20 | L6635-KP | 35.0 | 26.0 | | 1089 | 1093 | 1038 | 912 | 810 | 636 | 431 |
| W30/21 | L6640-KP | 40.0 | 30.0 | | 1145 | 1148 | 1094 | 955 | 848 | 668 | 451 |
| W30/22 | L6640-KP | 40.0 | 30.0 | | 1198 | 1201 | 1145 | 997 | 886 | 694 | 471 |
| W30/23 | L6640-KP | 40.0 | 30.0 | | 1248 | 1253 | 1191 | 1040 | 919 | 722 | 489 |
| W30/24 | L6650-KP | 50.0 | 37.0 | | 1306 | 1316 | 1250 | 1102 | 981 | 778 | 528 |
| W30/25 | L6650-KP | 50.0 | 37.0 | | 1358 | 1371 | 1299 | 1148 | 1017 | 804 | 548 |
| W30/26 | L6650-KP | 50.0 | 37.0 | | 1407 | 1417 | 1352 | 1188 | 1050 | 833 | 564 |
| W30/27 | L6650-KP | 50.0 | 37.0 | | 1460 | 1473 | 1401 | 1230 | 1093 | 863 | 584 |
| W30/28 | L6650-KP | 50.0 | 37.0 | | 1514 | 1526 | 1447 | 1273 | 1129 | 892 | 600 |
| W30/29 | L8660-KH | 60.0 | 45.0 | | 1591 | 1604 | 1526 | 1345 | 1201 | 961 | 663 |
| W30/31 | L8660-KH | 60.0 | 45.0 | | 1693 | 1706 | 1627 | 1434 | 1280 | 1017 | 699 |
| W30/33 | L8660-KH | 60.0 | 45.0 | | 1801 | 1811 | 1729 | 1526 | 1355 | 1083 | 745 |
| W30/36 | L8675-KH | 75.0 | 55.0 | | 1972 | 1993 | 1900 | 1677 | 1503 | 1198 | 830 |
| W30/39 | L8675-KH | 75.0 | 55.0 | | 2133 | 2156 | 2054 | 1811 | 1617 | 1296 | 892 |

Dimensions & weights of pump with Water filled motor

| Type Pump + Motor | ØM [inch] | ØE [inch] | Length [inch] | | | Gross weight [lbs] | | | Gross volume [ft³] | | |
|----------------------|--------------|--------------|---------------|-----|--------|--------------------|------------|-----|--------------------|------------|------|
| | | | L1 | L | | Pump | Pump+Motor | | Pump | Pump+Motor | |
| | | | | 1 ~ | 3 ~ | | 1 ~ | 3 ~ | | 1 ~ | 3 ~ |
| W30/18 + L6635-KP | 5.59 | 5.59 | 78.62 | - | 120.08 | 138 | - | 367 | 5.2 | - | 9.5 |
| W30/19 + L6635-KP | 5.59 | 5.59 | 82.40 | - | 123.86 | 144 | - | 374 | 5.4 | - | 9.7 |
| W30/20 + L6635-KP | 5.59 | 5.59 | 86.18 | - | 127.64 | 151 | - | 381 | 5.6 | - | 10.0 |
| W30/21 + L6640-KP | 5.59 | 5.59 | 89.96 | - | 134.57 | 158 | - | 405 | 5.9 | - | 10.6 |
| W30/22 + L6640-KP | 5.59 | 5.59 | 93.74 | - | 138.35 | 163 | - | 410 | 6.1 | - | 10.8 |
| W30/23 + L6640-KP | 5.59 | 5.59 | 97.52 | - | 142.13 | 77 | - | 324 | 6.3 | - | 11.0 |
| W30/24 + L6650-KP | 5.59 | 6.89 | 101.30 | - | 147.87 | 174 | - | 447 | 6.6 | - | 11.3 |
| W30/25 + L6650-KP | 5.59 | 6.89 | 105.08 | - | 151.65 | 181 | - | 454 | 6.8 | - | 11.5 |
| W30/26 + L6650-KP | 5.59 | 6.89 | 108.86 | - | 155.43 | 188 | - | 461 | 7.1 | - | 11.8 |
| W30/27 + L6650-KP | 5.59 | 6.89 | 112.64 | - | 159.21 | 194 | - | 468 | 7.3 | - | 12.0 |
| W30/28 + L6650-KP | 5.59 | 6.89 | 116.42 | - | 162.99 | 201 | - | 475 | 7.5 | - | 12.2 |
| W30/29 + L8660-KH | 7.48 | 7.48 | 127.91 | - | 175.63 | 208 | - | 680 | 7.8 | - | 15.3 |
| W30/31 + L8660-KH | 7.48 | 7.48 | 135.47 | - | 183.19 | 222 | - | 694 | 8.2 | - | 15.8 |
| W30/33 + L8660-KH | 7.48 | 7.48 | 143.03 | - | 190.75 | 235 | - | 707 | 8.7 | - | 16.2 |
| W30/36 + L8675-KH | 7.48 | 7.48 | 154.37 | - | 204.06 | 254 | - | 757 | 9.4 | - | 17.2 |
| W30/39 + L8675-KH | 7.48 | 7.48 | 165.71 | - | 215.39 | 274 | - | 777 | 10.1 | - | 17.9 |

W30/24 to W30/39 are mounted in sleeve for Rp 3 connection.

Note: ØE = For single cable motor maximum diameter of pump inclusive of cable guard.
 For two cable motor maximum diameter of pump inclusive of cable guard will increase by 0.12 inch.
 All dimensions in inches unless otherwise noted.